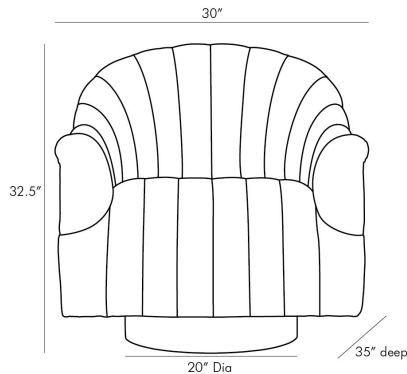


# ARTERIOS

## SPRINGSTEEN CHAIR FLINT VELVET CHAMPAGNE SWIVEL



8035

H: 32.5 IN, W: 30 IN, D: 35 IN

Flint Velvet

Contract Suitable As Is

Style reigns supreme in this sensuous swivel chair plucked straight from the seventies. The inviting barrel back, plush channeling and sleek satin brass plinth base create the perfect club chair. Place a pair in your favorite entertaining space with petite drinks tables or use four around a cocktail table instead of the traditional sofa and chair combo. These are meant to be touted, not tucked away!

### APPEARANCE

Material	Cotton Velvet, Steel
Finish	Champagne
Top Coat/Sealant	false

### DIMENSIONS

Arm	H: 22 IN, W: 4.5 IN
Foot Print	Dia: 20.00 IN
Yardage To Reupholster	7
Leg Height	4.5 IN
Seat	W: 21 IN, D: 21 IN
Seat Height	17 IN
Seat	W: 21 IN, D: 21 IN

### SHIPPING

Shipping Requirements	TruckShip
Product Weight	80 LBS
Gross Weight 1	85 LBS
Shipping Box 1	H: 43 IN, L: 41 IN, W: 38 IN

### ADDITIONAL INFO

Fabric Composition	74% Cotton, 26% Polyester
Fabric Double Rub Count	150,000
Fabric Compliancy	NFPA-260, TB117-2013

### CONTRACT

Contract Suitable	true
Contract Textile Suitability	High Traffic/Public Spaces
Swatch Number	V07SW, V078X8